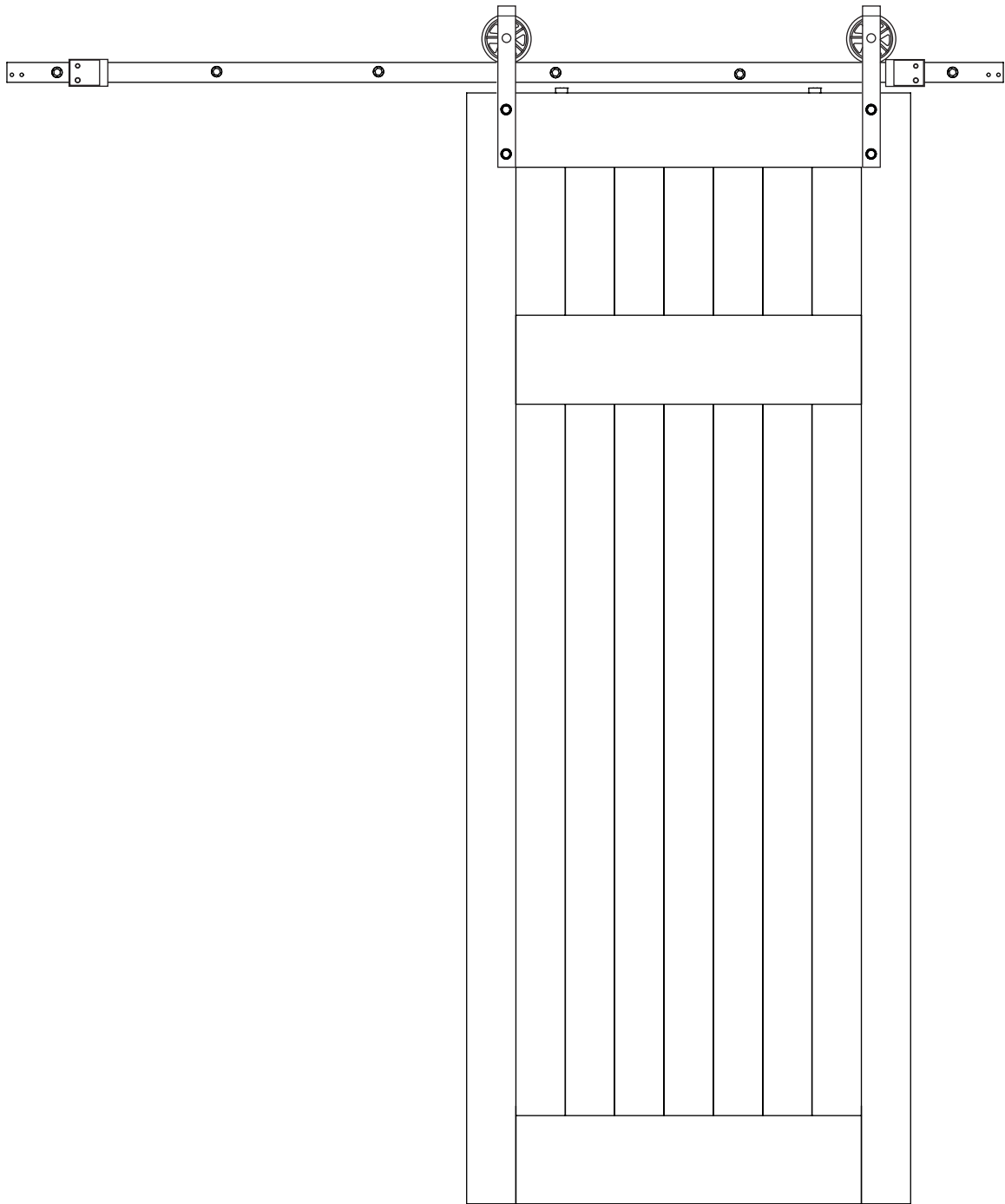
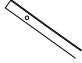
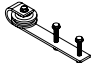



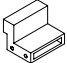


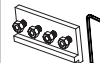


Barn Door Hardware Installation Manual



Track Accessories

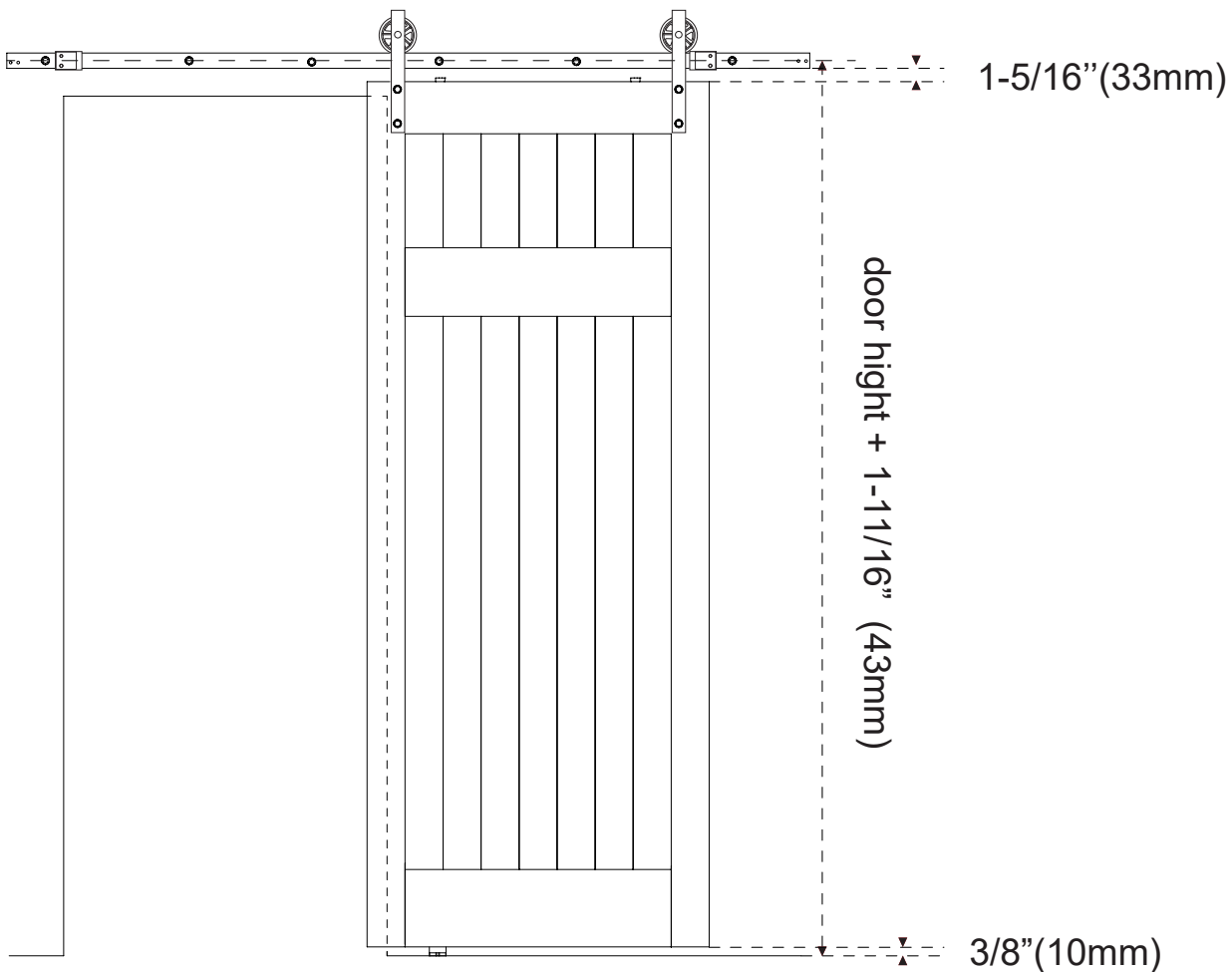
Single Door Hardware Kit Includes									
Part Name	Flat Track	Steel Hanger	Anti-jump Pad	Type A Floor guide	Type B Floor guide	Door Stopper	Lag Bolt	Spacer	Junction Plate
picture									
8FT	2	2	2	1	1	2	6	6	1

- ① Check the quantity of all the accessories.
- ② Any product problems or installation questions, please email us at productservicecenter@outlook.com with your "order ID".

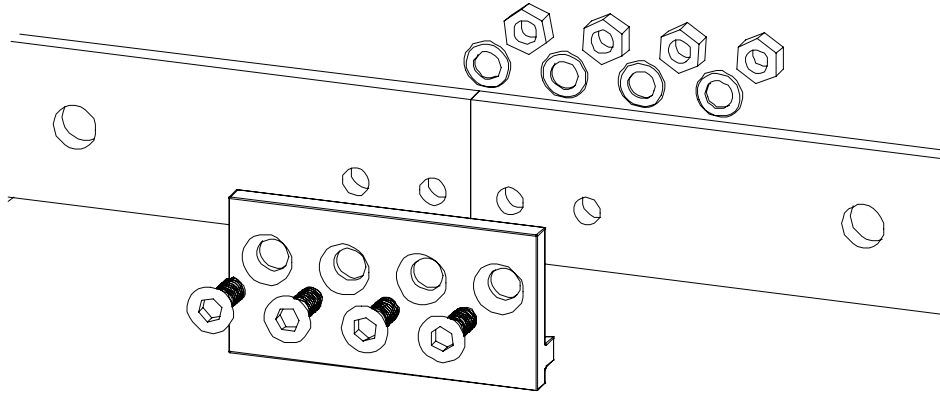
Chart: Track Junction



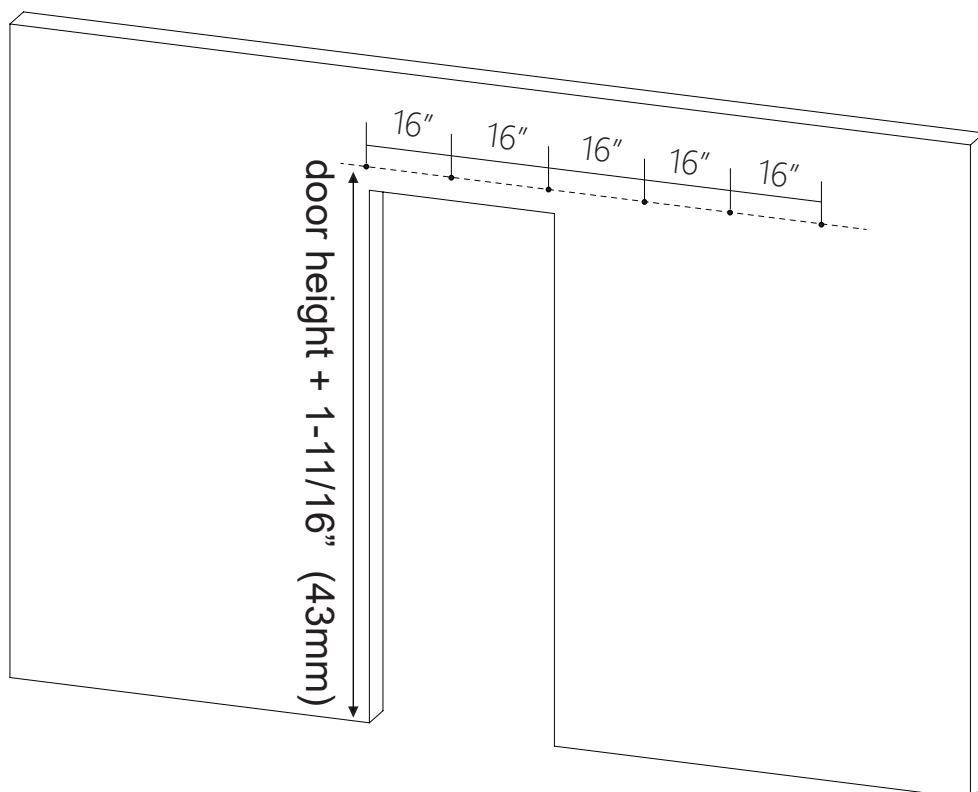
※Hardware Installation Main Installation Dimension



Step 1: Connect your tracks first with junction plate.

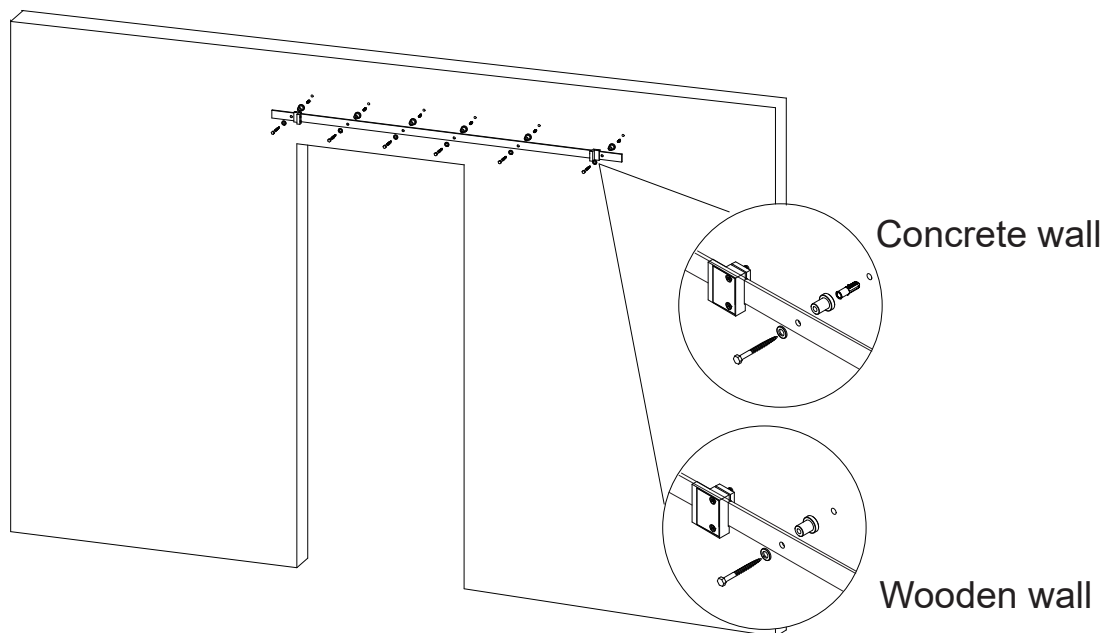




- Step 2:** ① Measure the overall height for the center line of the track, make sure it should be door height + [1-11/16 (43mm)] above the floor.
- ② Mark out all the holes' position according to your track.

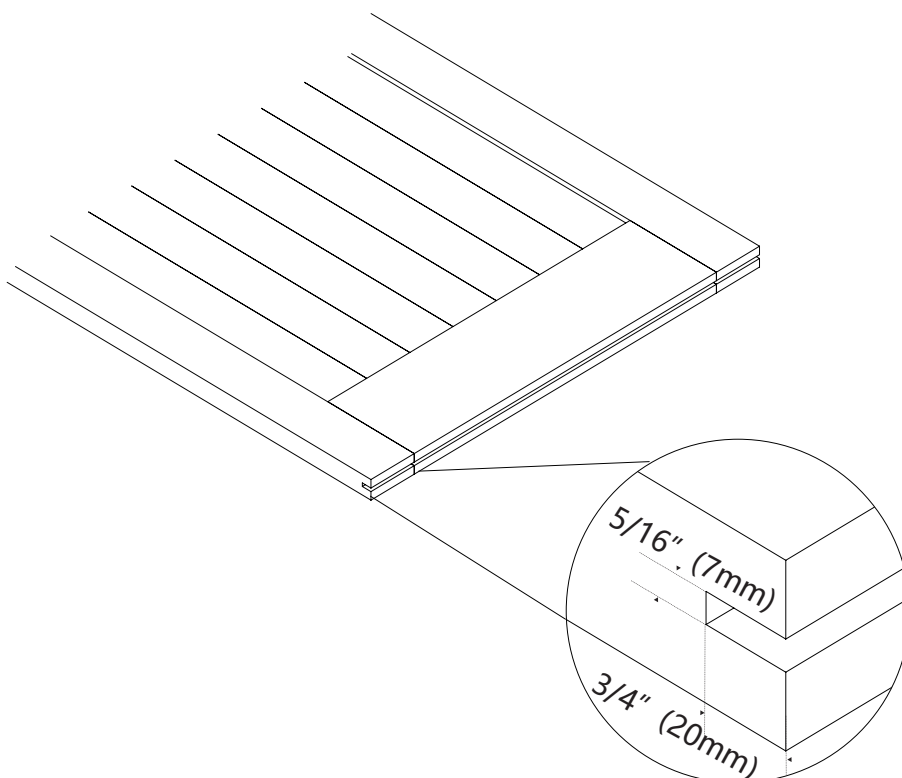


Step 3: Drill holes and install your track

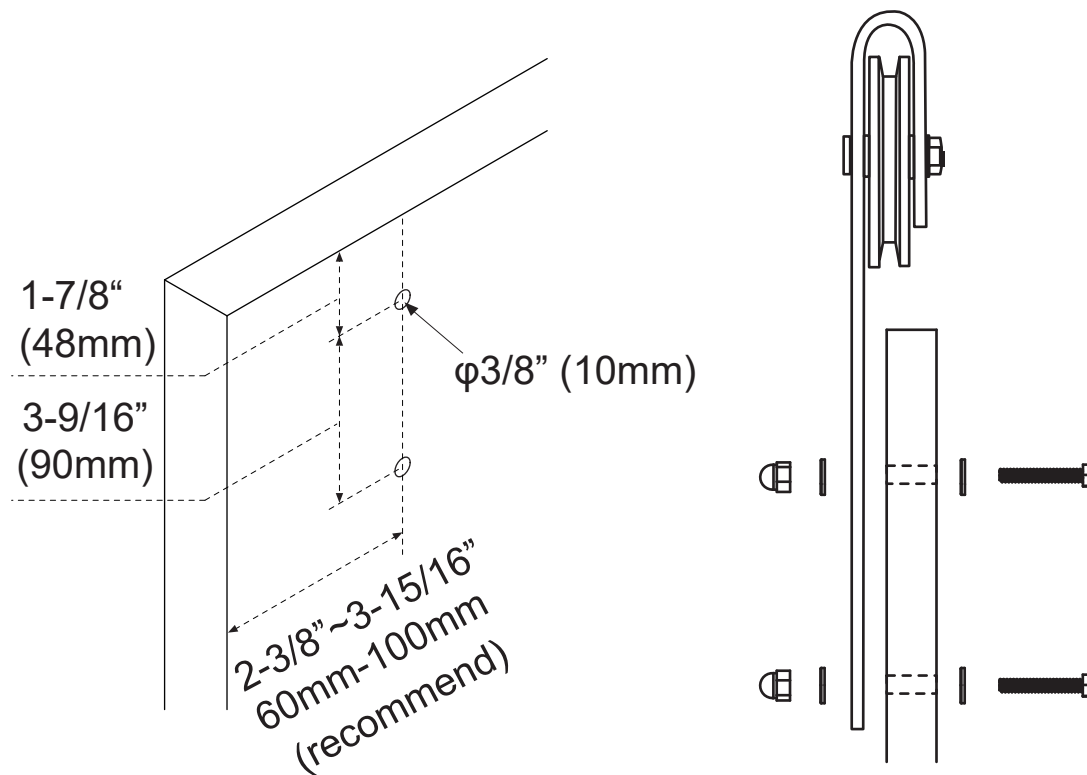
- ① Concrete wall: Drill out the holes by using a drill with 3/8" (10mm) drill bit.
- ② Wooden wall: Drill out the holes by using a drill with 1/4" (6mm) drill bit.
- ③ Install the track refer to the below image.



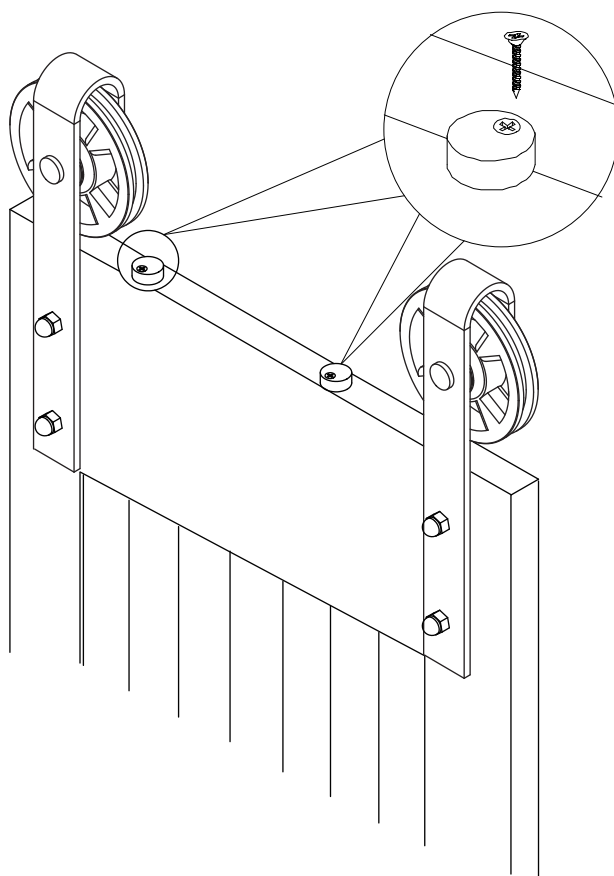
- Step 4:** ① If you use type A floor guide  , you will need to open a slot [5/16" (7mm) wide, 3/4" (20mm) deep] at the bottom of the door with a slotting machine.
- ② If you use type B floor guide  , please skip this step.



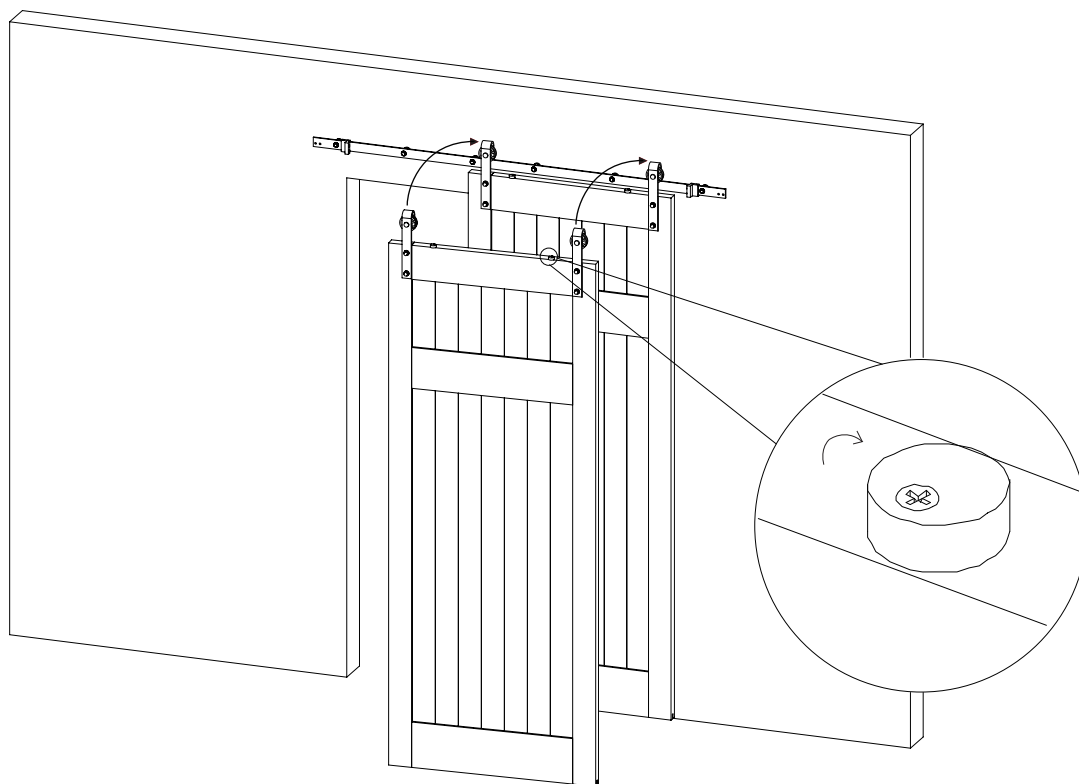
Step 5: Install hangers on your door.



Step 6: Install anti-jump pad. As the picture shows, the screw is near the edge of your door.

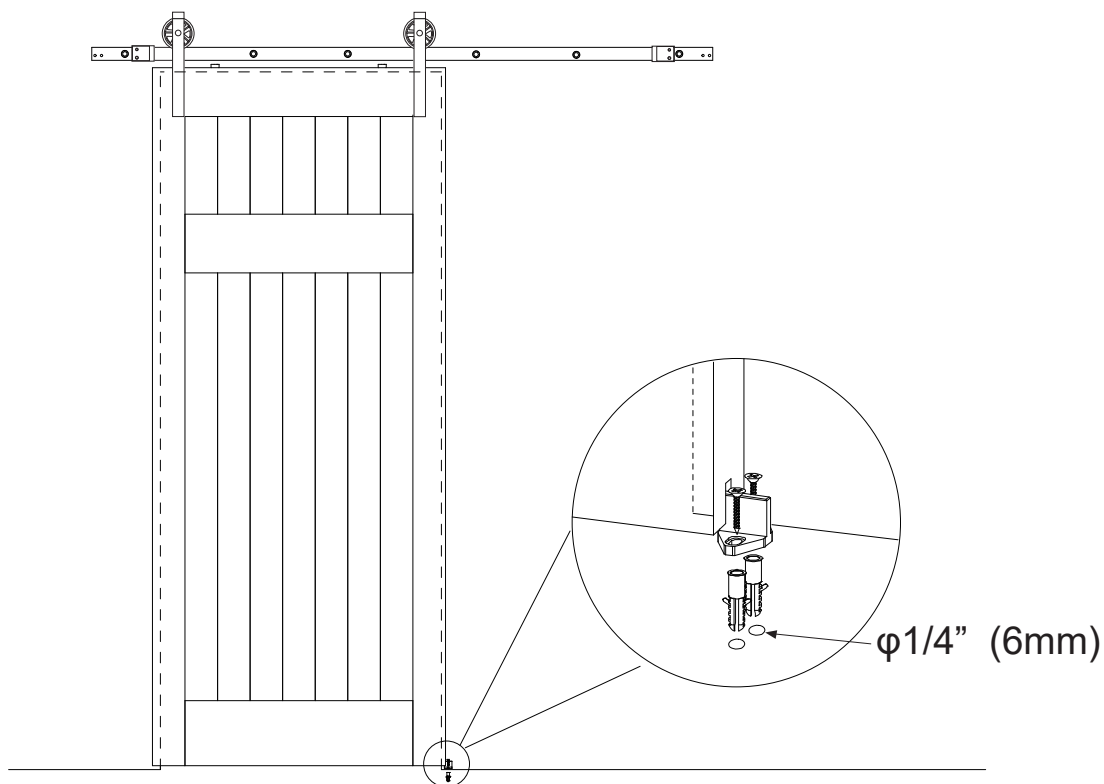


Step 7: Put your hangers on the track, then twist the anti-jump pad facing to your wall.

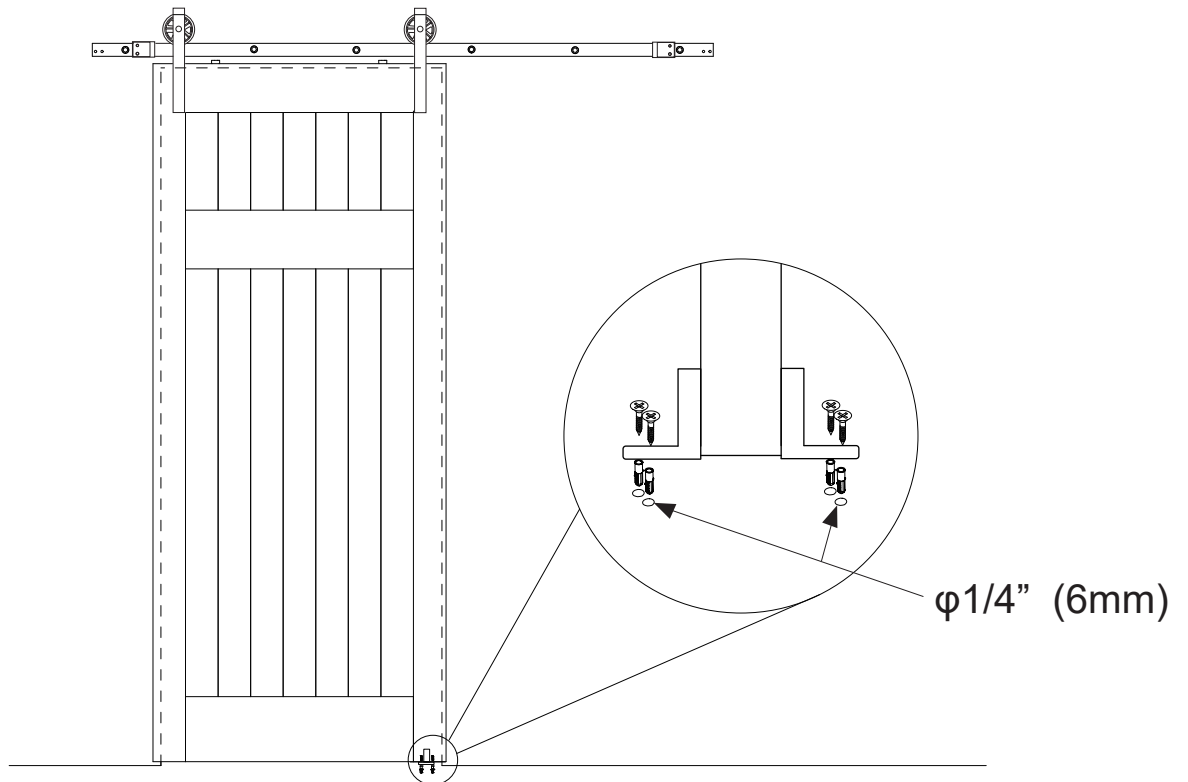


Step 8: Install your floor guides.

Type A



Type B



Step 9: Adjust and fix stoppers to make the door not detach from the floor guide whether the door on close or open position.

