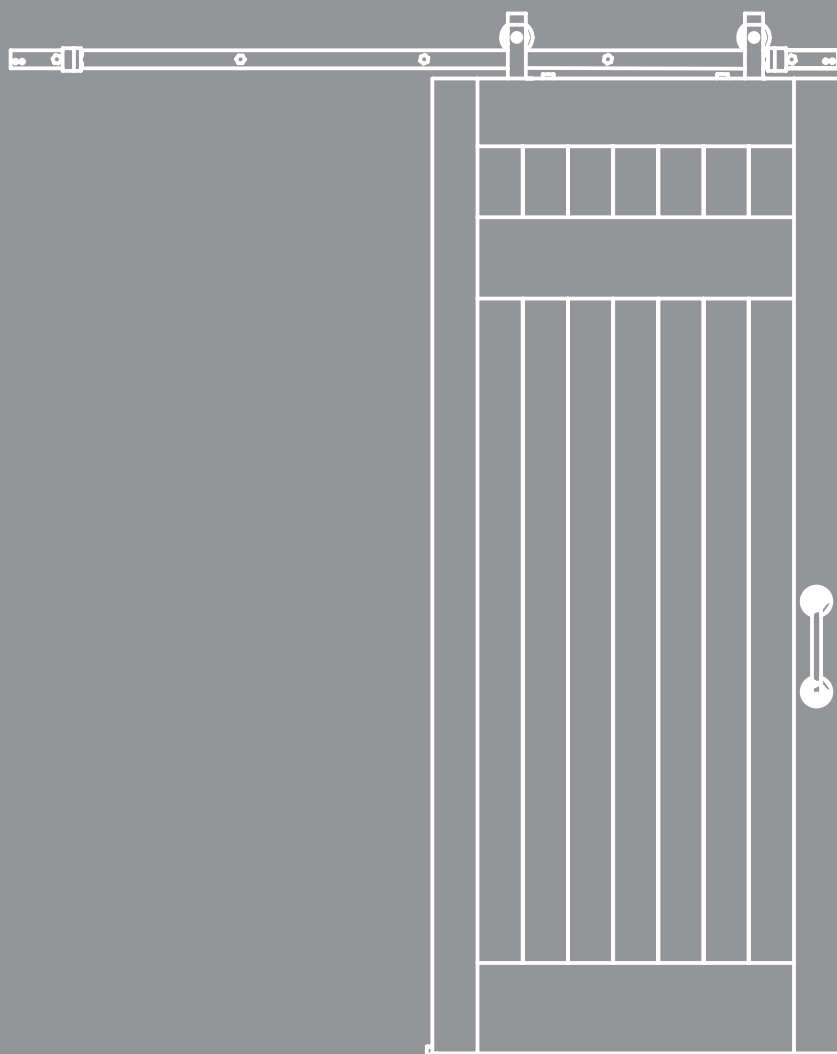


# Installation Manual



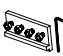
## Sliding Barn Door


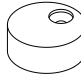
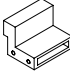
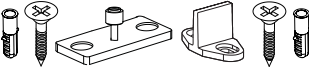





# ※ HARDWARE


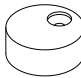
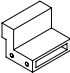
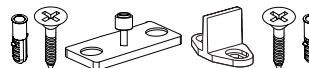
Before you begin, check that you have the parts you need in your kit. The table below indicates the model and quantity of the part.

## ● Track Accessories

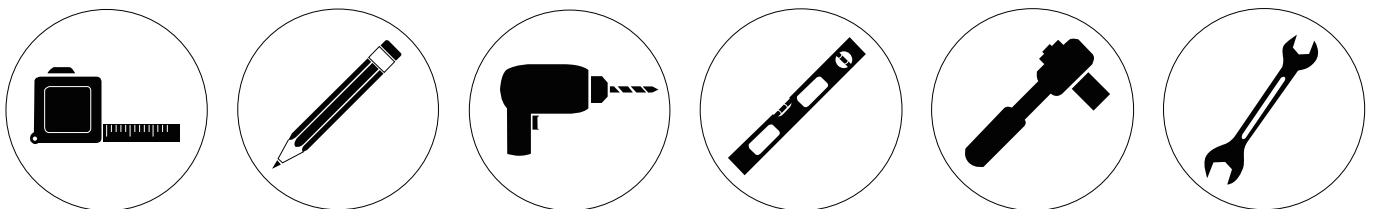
Single Door Hardware Kit												
Part Name	Picture	1.25m	1.5m	1.6m	1.8m	2m	2.4m	2.8m	3m	3.2m	3.6m	4m
Flat Track		1	1	1	1	1	1	1	2	2	2	2
Sapcer & Lag Bolt		3	4	4	4	5	6	6	8	8	8	10
Junction Plate & Hex wrench		0	0	0	0	0	0	0	1	1	1	1

Hanger		X2	Anti-Jump Pad		X2
Door Stopper		X2	Floor Guide		X1

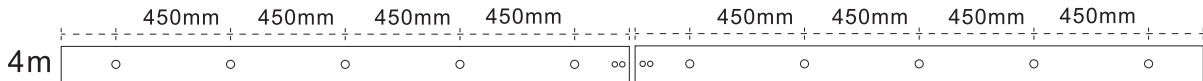
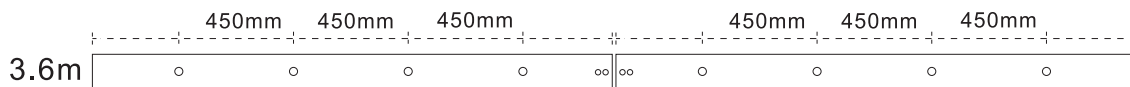
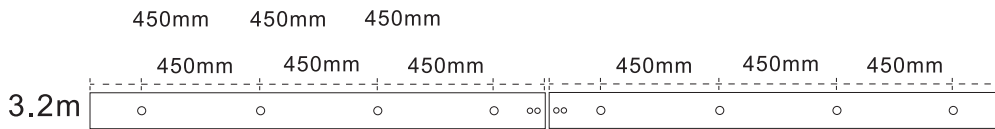
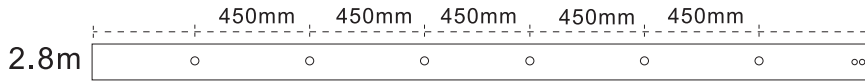
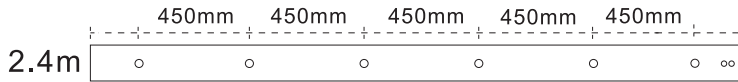
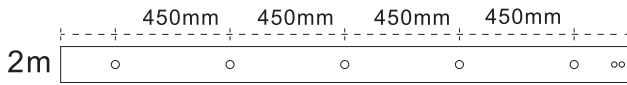
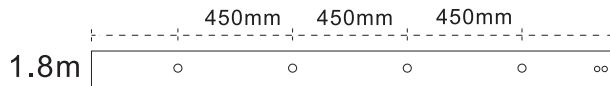
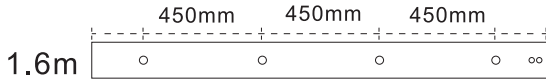
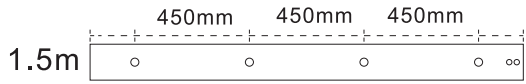
Double Door Hardware Kit												
Part Name	Picture	1.25m	1.5m	1.6m	1.8m	2m	2.4m	2.8m	3m	3.2m	3.6m	4m
Flat Track		1	1	1	1	1	1	1	2	2	2	2
Sapcer & Lag Bolt		3	4	4	4	5	6	6	8	8	8	10
Connector & Hex wrench		0	0	0	0	0	0	0	1	1	1	1

Hanger		X4	Anti-Jump Pad		X4
Door Stopper		X4	Floor Guide		X2

## ● Installation Tools

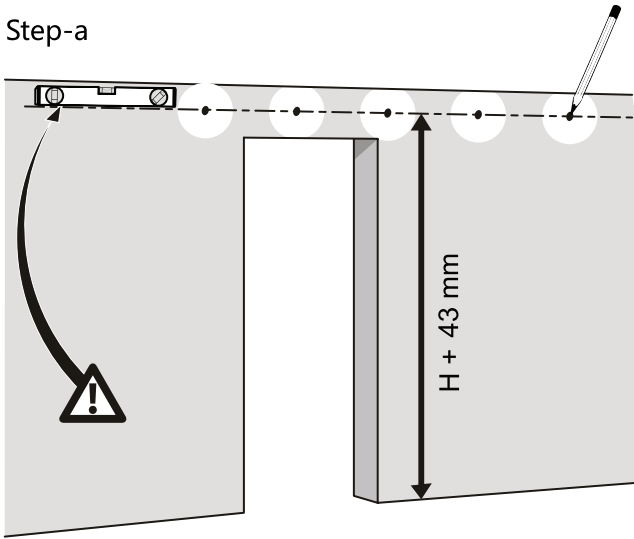


# • Chart: Track Junction



# ※ HARDWARE INSTALLATION

Step-a

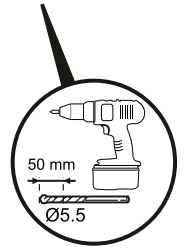
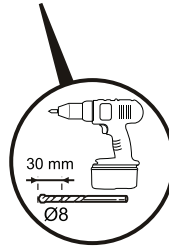


## ● Determine the rail position

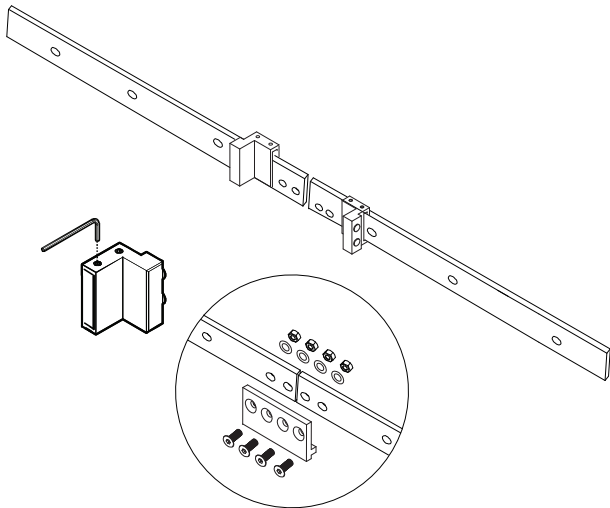
1. H=Door height.
2. Center the rail on the wall, using a level and mark all holes on the track.
3. Drill a hole where marked:

Drill on concrete wall

Drill on wooden wall



Step-b

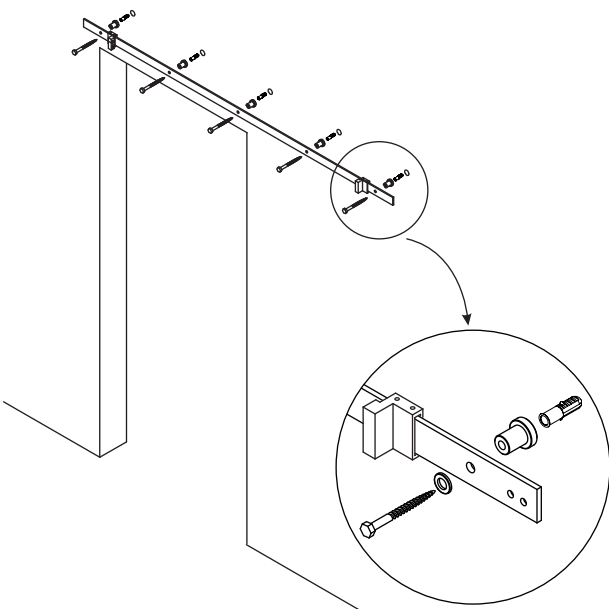


## ● Assemble Door Stoppers

(Step-b is only for Double Door Hardware Kit, Disregard Step-b for single piece track)

1. Slide one side of the door stop onto each rail (as the left picture shows)
2. Connect up every track piece with junction plates.

Step-c



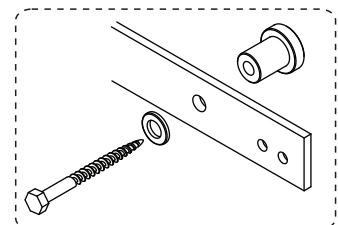
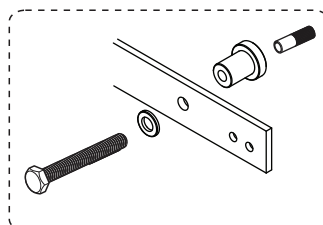
## ● Installing the rail

1. Secure the rail onto the wall, using the fasteners and spacers.

2. Use the spacer between the rail and the wall:

Install on concrete wall

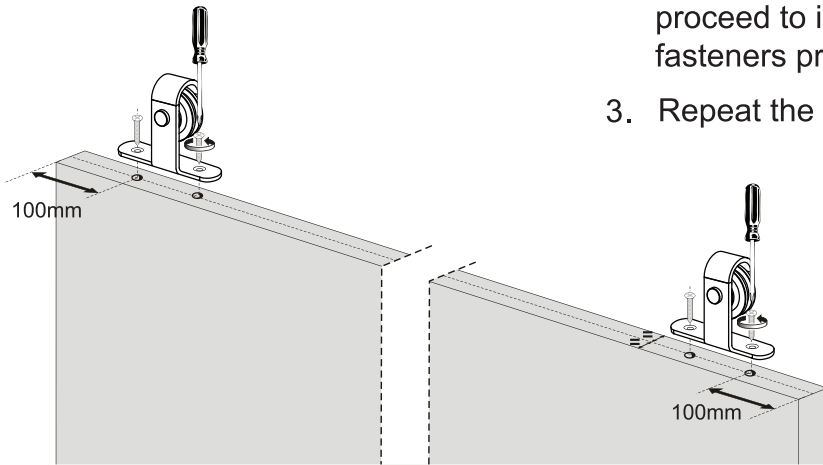
Install on wooden wall



### Step-d

#### ● Installing the Hangers

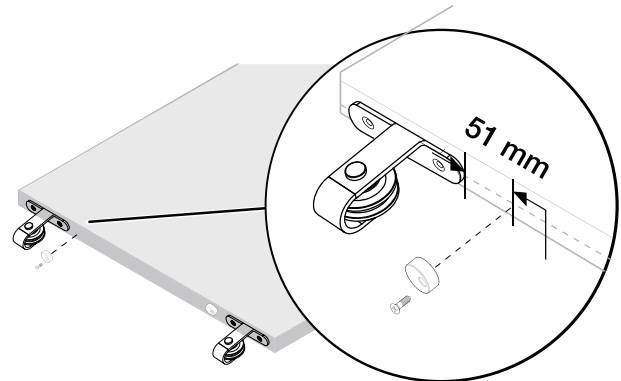
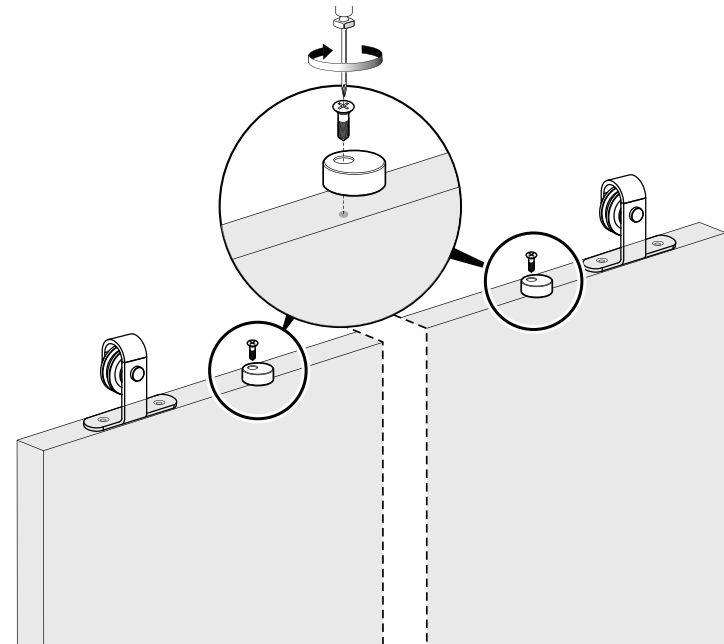
1. Measure the holes for the first hanger approximately 100 mm from the edge of the door.
2. Once holes are determined, mark the door with a pencil and proceed to install the hanger on top of the door by using the fasteners provided.
3. Repeat the step on the other side for the second hanger.



### Step-e

#### ● Installing the anti-jump discs

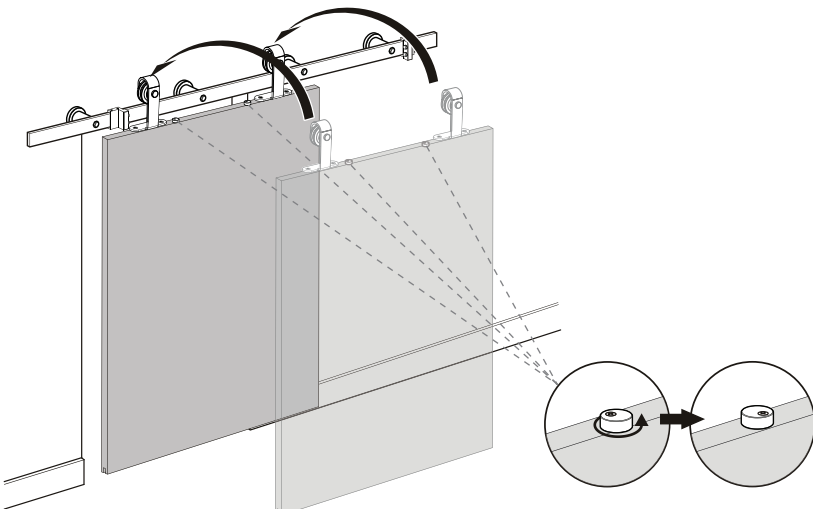
1. Place the anti-jump discs a minimum of 51 mm away from the inside edge of the hanger on top of the door. The hole of the anti-jump disc should be closer to the front of the door.
2. Repeat this step on the opposite side.



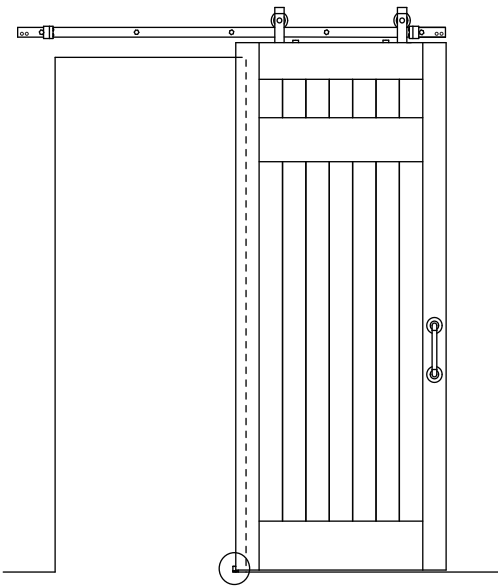
### Step-f

#### ● Placing the door on the rail

1. Rotate the anti-jump discs out of the way and place the door with hangers installed on the rail. Ensure the door is level on the rail when installed. Test the door by sliding it. Once tested, rotate the anti-jump discs back into the original spot.
2. Repeat step-f-1 on the other door for a double door installation.

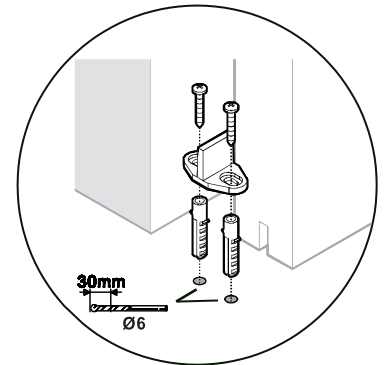
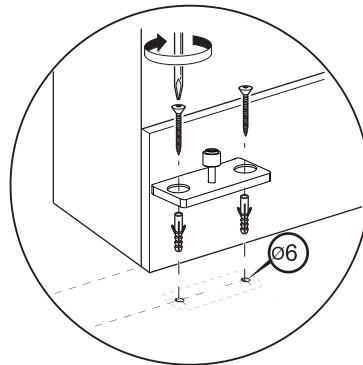
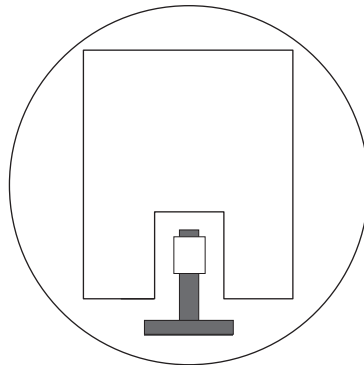
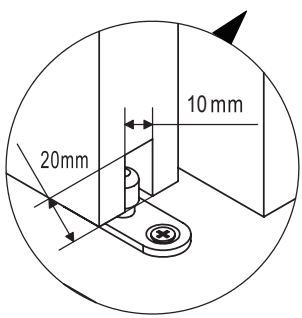


### Step-g

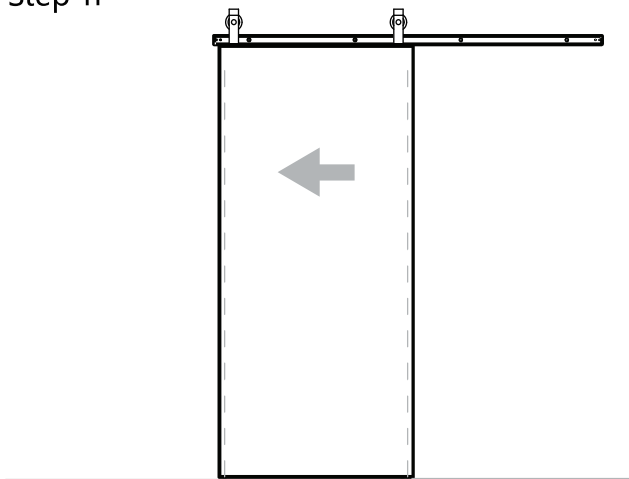


### ● Installing the Floor Guide

1. Once the door has been hung in position, the bottom floor guide will need to be fixed in place to prevent excessive movement.
2. Slide the door into an open position without it falling off the rail.
3. Position the floor guide past the opening, as shown in the diagram. Center the floor guide on the floor and align with the door.
4. Drill holes in the floor and secure the floor guide with fasteners.



### Step-h



### ● Installing the door stops

1. Slide the door to the closed position.
2. Slide the door stop onto the rail ensuring it touches the hanger. Using the Allen Key, tighten the screws to secure the door stop.
3. Move the door to the open position and repeat the same steps for the other door stop.

